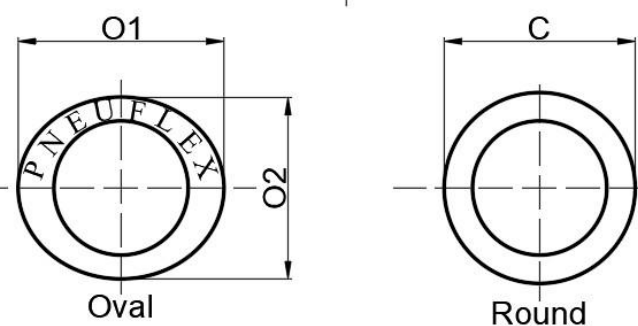
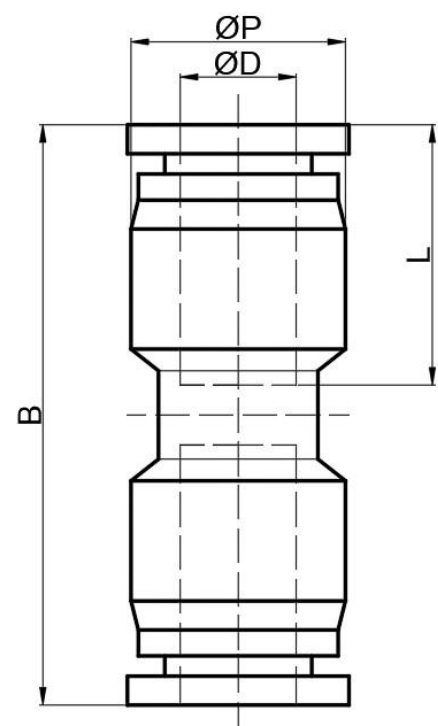


PU UNION STRAIGHT



Model	Applicable Tubing ØD	ØP	B	L	O1	O2	C
PU 04	ø4mm	11	33	13.8	12	10.4	9.8
PU 05	ø5mm	13.5	36	15.9	13.8	12.4	11.8
PU 06	ø6mm	13.5	36	15.9	13.8	12.4	11.8
PU 07	ø7mm	15	39	19	16	13.8	13.8
PU 08	ø8mm	15	39	19	16	13.8	13.8
PU 09	ø9mm	19	47.5	21.8	19.5	17	16.8
PU 10	ø10mm	19	47.5	21.8	19.5	17	16.8
PU 11	ø11mm	21	48.5	22.8	23	20.5	19.8
PU 12	ø12mm	21	48.5	22.8	23	20.5	19.8
PU 14	ø14mm	23	51	24	25	22	21.8
PU 15	ø15mm	26	51.5	24.7	26.5	24.5	23.8
PU 16	ø16mm	26	51.5	24.7	26.5	24.5	23.8
PU 1/8	ø1/8"	11	33	13.8	12	10.4	9.8
PU 5/32	ø5/32"	11	33	13.8	12	10.4	9.8
PU 3/16	ø3/16"	11	33	14.3	12	10.4	9.8
PU 1/4	ø1/4"	13.5	36	15.9	13.8	12.4	11.8
PU 5/16	ø5/16"	15	39	19	16	13.8	13.8
PU 3/8	ø3/8"	19	47.5	22.3	19.5	17	16.8
PU 1/2	ø1/2"	21	48.5	22.8	23	20.5	19.8
PU 5/8	ø5/8"	26	51.5	24.7	26.5	24.5	23.8